

Cell Culture Slides

I. APPLICATIONS

1. Designed for various cell-based experiments and are also useful for virus, toxicity tests and immunocytological experiments. Cell Culture Slides provide removable chamber that enables cell growth directly on the microscopic slide, convenient for staining and microscopic examination without cell transfer. Chambers with various well numbers are available for different applications.

II. FEATURES

1. Convenient for microscopic observation
2. Bottom material: Glass, Chamber material: PS, Holder material: PP
3. Chamber color: Clear
4. Easy open flip for chamber & slide disassembly
5. No chemical adhesives used
6. Designed to prevent cross contamination
7. Alphanumeric labeling
8. Packing trays can be used as incubation racks in CO₂ incubators.
9. Non-pyrogenic
10. Non-cytotoxic
11. DNase, RNase, and human DNA free
12. Sterile

III. DESIGN

1. Polystyrene chamber piece available with 1, 2, 4, or 8 wells
2. Slide and chamber apparatus can be easily disassembled without damaging samples

IV. PACKAGING

1. Bulk, 6 pieces/pack, 2 packs/case

V. DESCRIPTION

Cat #	Wells	Growth Area	Working	Working	Unit
07-2101	1-well	9.40cm ²	2.50-5.50ml	2.50-5.50ml	6 /Pack, 2 Packs/Case
07-2102	2-well	4.55cm ²	1.20-2.50ml	1.20-2.50ml	6 /Pack, 2 Packs/Case
07-2104	4-well	2.13cm ²	0.50-1.30ml	0.50-1.30ml	6 /Pack, 2 Packs/Case
07-2108	8-well	0.98cm ²	0.20-0.60ml	0.20-0.60ml	6 /Pack, 2 Packs/Case

VI. STERILITY

1. Steril

VII. CERTIFICATION

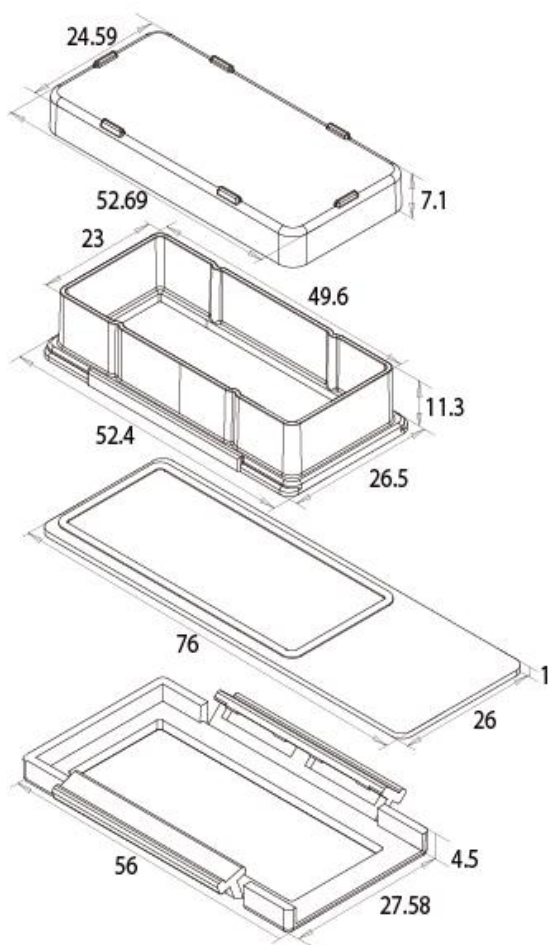
Biologix products are manufactured completely according to the TUV ISO 9001:2008 standard.

VIII. RESTRICTIONS

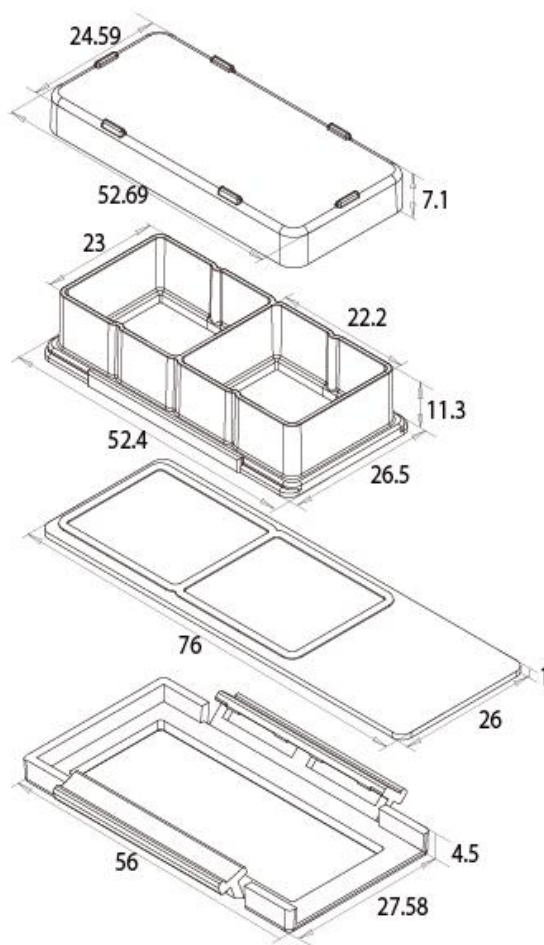
Refer to the Chemical Resistance Chart in our catalog, and available within our online catalog.

IX. PRODUCT PARAMETER

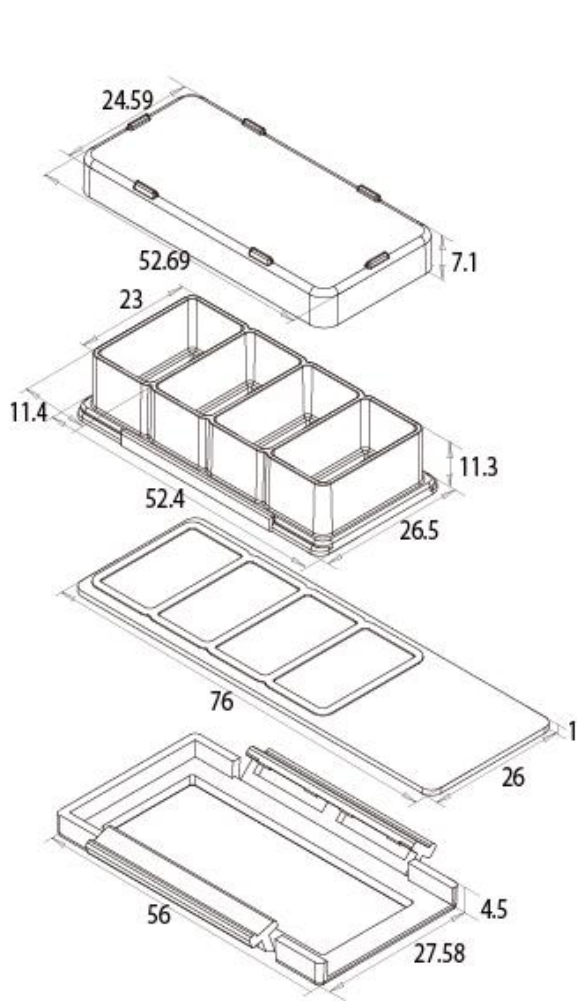
Dimensions=mm



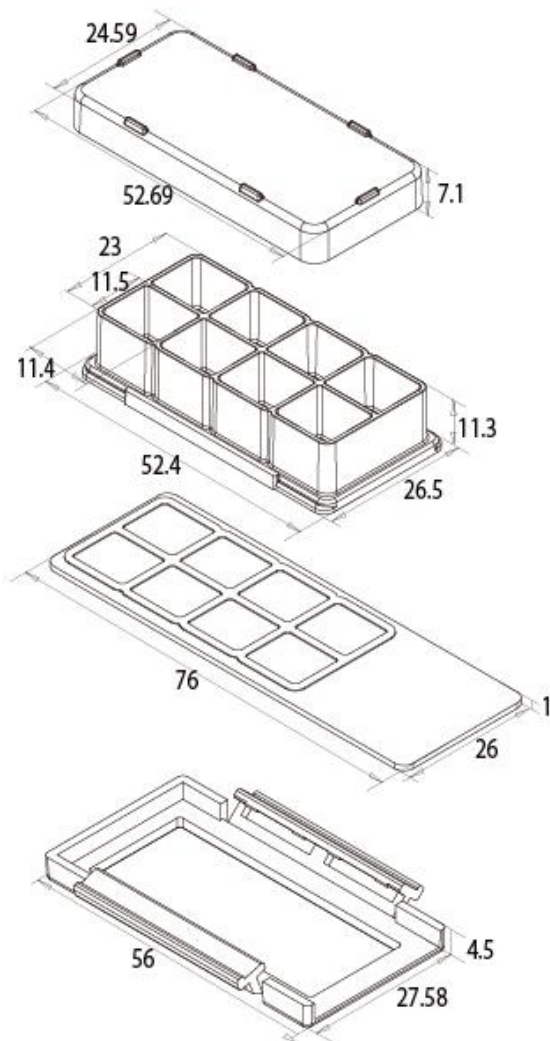
07-2101



07-2102



07-2104



07-2108